



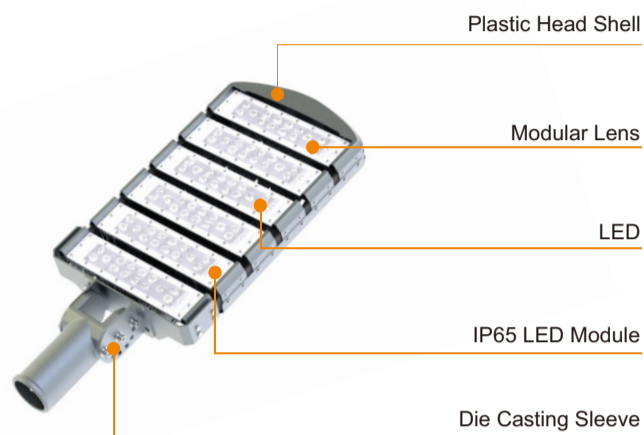
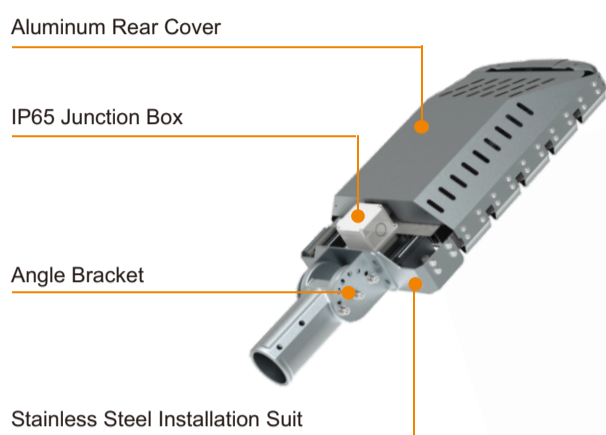
Product Specification

180W LED Street Light

YHL-ST-180 (MO)



Structure Diagram

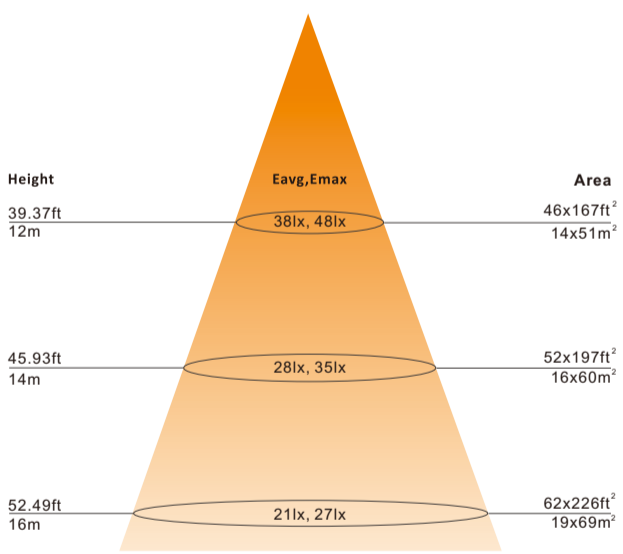


Product Specification

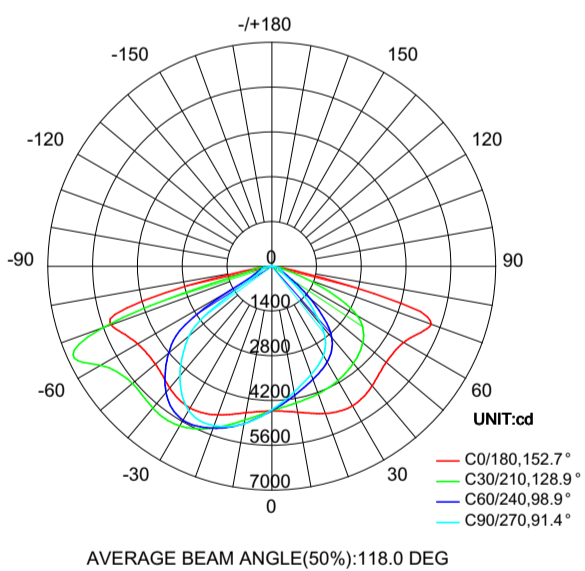
Model	YHL-ST-180 (MO)
LED Type	NICHIA
CCT	4500-5500K (2500-5500 Optional)
Luminous Flux	>16500 lm
Color Rendering Index	≥70
Beam Angle	80/150°
HID Replacment (based on Philips)	360W
Luminaire Base Temperature	58° (Room Temperature 23°)
Heat Sink Surface Temperature	50° (Room Temperature 23°)
Working Temperature (Environment)	-30°C - +55°C

Power	180W
LED Chip Quantity	84 pcs
Fixture Material	Aluminum Alloy+PC Lens
Light Efficiency	≥90lm/W
IP Level	IP65
Input Voltage	AC100-277V
Lifetime	≥50000 Hrs
Net Weight	8.6kg±0.4kg
Outlook Dimensions	L765mm x W312mm x H110mm
Package Dimensions	L846mm x W402mm x H200mm

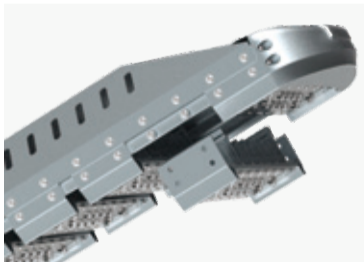
Illumination Figure



Photometry



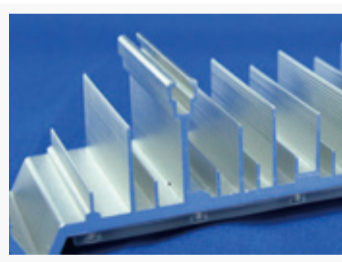
Component parts



Mould-by-Mould (30W Each)



Modular Lens / Easy Maintenance

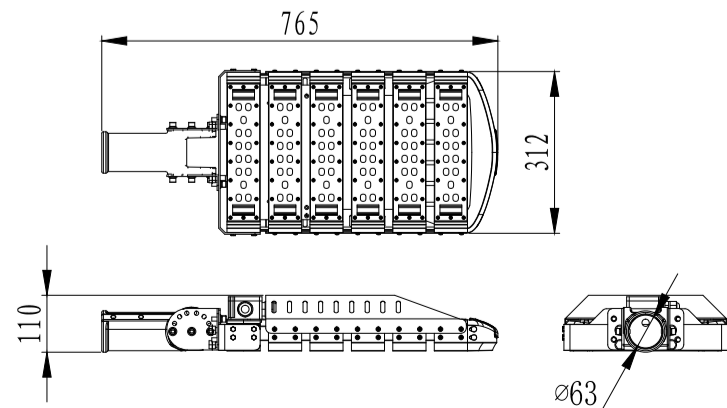


Unique Heat Sink



-90°~+90° Vertical Angle Adjustable

The actual Proportion



Installation diagram

